

# Protistor® size 33 aR

450 to 690VAC (IEC) / 700VAC (UL)

## SEMICONDUCTOR PROTECTION FUSES

## SQUARE BODY HIGH-SPEED FUSE-LINKS AC PROTECTION



The 690/700V Protistor® fuse-links provide maximum flexibility in equipment design and ultimate protection for today's power conversion equipment. These aR ultra-fast acting square body fuse-links are available in different body sizes, each size having multiple worldwide acceptable mounting styles.

The Protistor® have been engineered to provide state-of-the-art protection for semiconductors: diodes, thyristors and IGBT devices. Fuses are assembled with die-cut elements embedded in solidified sand, which helps control arcing characteristics for a lower  $I^2t$  and high interrupting rating level. All contact surfaces are silver plated and all hardware is non-magnetic.

Each fuse-link can be equipped with a low voltage trip-indicator which can operate a field mountable microswitch.

### TECHNICAL DATA OVERVIEW

Voltage Range AC	450 ... 690 VAC
Ampere Range (A)	450 ... 2500 A
Speed/Characteristic	aR
I.R. AC	110 ... 200 kA
Product Size	33

### FEATURES & BENEFITS

- Multiple body sizes and terminals or blades combination
- aR Class according to IEC 60269-4 and VDE 636-23
- Very low  $I^2t$  for improved semiconductor protection
- Ultra fast acting
- Current limiting
- Superior cycling capability

### APPLICATIONS

- Protection of inverters, motor drives, UPS systems and similar 690V or less equipments.

### STANDARDS

- IEC 60269-4 Compliance
- UL/CSA Recognized E76491
- CCC 1359.4



MERSEN reserves the right to change, update or correct, without notice, any information contained in this datasheet.



Shah & Shah Enterprise

[www.shahent.co.in](http://www.shahent.co.in)

# Protistor® size 33 aR

450 to 690VAC (IEC) / 700VAC (UL)

## PRODUCT RANGE



PC33UD69V1100A

### Size 33 type DIN80 blades

Catalog number	Item number	Rated voltage AC (IEC)	Rated voltage AC (UL)	Rated current I <sub>n</sub>	Pre-arcing I <sup>2</sup> t	Clearing I <sup>2</sup> t at Rated Voltage	Rated breaking capacity AC	Power dissipation at I <sub>n</sub>	Package	Weight
<b>Standard Terminal</b>										
PC33UD69V450A	T302168	690 V	700 V	450 A	13.45 kA <sup>2</sup> s	87 kA <sup>2</sup> s	200 kA	88 W	3	0.81 kg
PC33UD69V500A	G300248	690 V	700 V	500 A	19 kA <sup>2</sup> s	110 kA <sup>2</sup> s	200 kA	105 W	3	0.81 kg
PC33UD69V550A	H300249	690 V	700 V	550 A	27 kA <sup>2</sup> s	155 kA <sup>2</sup> s	200 kA	110 W	3	0.81 kg
PC33UD69V630A	J300250	690 V	700 V	630 A	40 kA <sup>2</sup> s	230 kA <sup>2</sup> s	200 kA	120 W	3	0.81 kg
PC33UD69V700A	K300251	690 V	700 V	700 A	57 kA <sup>2</sup> s	330 kA <sup>2</sup> s	200 kA	125 W	3	0.81 kg
PC33UD69V800A	L300252	690 V	700 V	800 A	93 kA <sup>2</sup> s	540 kA <sup>2</sup> s	200 kA	130 W	3	0.81 kg
PC33UD69V900A	M300253	690 V	700 V	900 A	130 kA <sup>2</sup> s	770 kA <sup>2</sup> s	200 kA	135 W	3	0.81 kg
PC33UD69V1000A	N300254	690 V	700 V	1000 A	170 kA <sup>2</sup> s	990 kA <sup>2</sup> s	200 kA	155 W	3	0.81 kg
PC33UD69V1100A	P300255	690 V	700 V	1100 A	240 kA <sup>2</sup> s	1390 kA <sup>2</sup> s	200 kA	160 W	3	0.81 kg
<b>Reinforced Terminal</b>										
PC33UD69V1250A	Q300256	690 V	700 V	1250 A	355 kA <sup>2</sup> s	2053 kA <sup>2</sup> s	200 kA	180 W	3	0.81 kg
PC33UD69V1400A	R300257	690 V	700 V	1400 A	465 kA <sup>2</sup> s	2700 kA <sup>2</sup> s	200 kA	200 W	3	0.81 kg
PC33UD60V1500A	M235071	600 V	650 V	1500 A	470 kA <sup>2</sup> s	2500 kA <sup>2</sup> s	160 kA	210 W	3	0.81 kg
PC33UD60V1600A	X301803	600 V	650 V	1600 A	555 kA <sup>2</sup> s	2900 kA <sup>2</sup> s	160 kA	240 W	3	0.81 kg
PC33UD60V1800A	E301971	600 V	650 V	1800 A	720 kA <sup>2</sup> s	3870 kA <sup>2</sup> s	160 kA	225 W	3	0.81 kg
PC33UD55V2000A	A302657	550 V	600 V	2000 A	950 kA <sup>2</sup> s	4500 kA <sup>2</sup> s	150 kA	250 W	3	0.81 kg

### Size 33 type DIN110 blades

Catalog number	Item number	Rated voltage AC (IEC)	Rated voltage AC (UL)	Rated current I <sub>n</sub>	Pre-arcing I <sup>2</sup> t	Clearing I <sup>2</sup> t at Rated Voltage	Rated breaking capacity AC	Power dissipation at I <sub>n</sub>	Package	Weight
<b>Standard Terminal</b>										
PC33UD69V450D1A	V302169	690 V	700 V	450 A	13.45 kA <sup>2</sup> s	87 kA <sup>2</sup> s	200 kA	88 W	3	0.87 kg
PC33UD69V500D1A	S300258	690 V	700 V	500 A	19 kA <sup>2</sup> s	110 kA <sup>2</sup> s	200 kA	105 W	3	0.87 kg
PC33UD69V550D1A	T300259	690 V	700 V	550 A	27 kA <sup>2</sup> s	155 kA <sup>2</sup> s	200 kA	110 W	3	0.87 kg
PC33UD69V630D1A	V300260	690 V	700 V	630 A	40 kA <sup>2</sup> s	230 kA <sup>2</sup> s	200 kA	120 W	3	0.87 kg
PC33UD69V700D1A	W300261	690 V	700 V	700 A	57 kA <sup>2</sup> s	330 kA <sup>2</sup> s	200 kA	125 W	3	0.87 kg
PC33UD69V800D1A	X300262	690 V	700 V	800 A	93 kA <sup>2</sup> s	540 kA <sup>2</sup> s	200 kA	130 W	3	0.87 kg
PC33UD69V900D1A	Y300263	690 V	700 V	900 A	130 kA <sup>2</sup> s	770 kA <sup>2</sup> s	200 kA	135 W	3	0.87 kg
PC33UD69V10CD1A	Z300264	690 V	700 V	1000 A	170 kA <sup>2</sup> s	990 kA <sup>2</sup> s	200 kA	155 W	3	0.87 kg
PC33UD69V11CD1A	A300265	690 V	700 V	1100 A	240 kA <sup>2</sup> s	1390 kA <sup>2</sup> s	200 kA	160 W	3	0.87 kg
<b>Reinforced Terminal</b>										
PC33UD69V12CD1A	B300266	690 V	700 V	1250 A	355 kA <sup>2</sup> s	2053 kA <sup>2</sup> s	200 kA	180 W	3	0.87 kg
PC33UD69V14CD1A	C300267	690 V	700 V	1400 A	465 kA <sup>2</sup> s	2700 kA <sup>2</sup> s	200 kA	200 W	3	0.87 kg
PC33UD65V15CD1A	H301974	600 V	650 V	1500 A	470 kA <sup>2</sup> s	2500 kA <sup>2</sup> s	160 kA	210 W	3	0.87 kg
PC33UD60V16CD1A	Z301437	600 V	650 V	1600 A	500 kA <sup>2</sup> s	2900 kA <sup>2</sup> s	160 kA	240 W	3	0.87 kg
PC33UD55V20CD1A	S1015765	550 V	600 V	2000 A	950 kA <sup>2</sup> s	4500 kA <sup>2</sup> s	150 kA	290 W	3	0.87 kg

MERSEN reserves the right to change, update or correct, without notice, any information contained in this datasheet.

# Protistor® size 33 aR

450 to 690VAC (IEC) / 700VAC (UL)

## PRODUCT RANGE

### Size 33 type EF style notched blade connections

Catalog number	Item number	Rated voltage AC (IEC)	Rated voltage AC (UL)	Rated current I <sub>n</sub>	Pre-arcing I <sup>2</sup> t	Clearing I <sup>2</sup> t at Rated Voltage	Rated breaking capacity AC	Power dissipation at I <sub>n</sub>	Package	Weight
<b>Standard Terminal</b>										
PC33UD69V500EF	Z300218	690 V	700 V	500 A	19 kA <sup>2</sup> s	110 kA <sup>2</sup> s	200 kA	105 W	3	0.85 kg
PC33UD69V550EF	A300219	690 V	700 V	550 A	27 kA <sup>2</sup> s	155 kA <sup>2</sup> s	200 kA	110 W	3	0.85 kg
PC33UD69V630EF	B300220	690 V	700 V	630 A	40 kA <sup>2</sup> s	230 kA <sup>2</sup> s	200 kA	120 W	3	0.85 kg
PC33UD69V700EF	C300221	690 V	700 V	700 A	57 kA <sup>2</sup> s	330 kA <sup>2</sup> s	200 kA	125 W	3	0.85 kg
PC33UD69V800EF	D300222	690 V	700 V	800 A	93 kA <sup>2</sup> s	540 kA <sup>2</sup> s	200 kA	130 W	3	0.85 kg
PC33UD69V900EF	E300223	690 V	700 V	900 A	130 kA <sup>2</sup> s	770 kA <sup>2</sup> s	200 kA	135 W	3	0.85 kg
PC33UD69V1000EF	F300224	690 V	700 V	1000 A	170 kA <sup>2</sup> s	990 kA <sup>2</sup> s	200 kA	155 W	3	0.85 kg
PC33UD69V1100EF	G300225	690 V	700 V	1100 A	240 kA <sup>2</sup> s	1390 kA <sup>2</sup> s	200 kA	160 W	3	0.85 kg
<b>Reinforced Terminal</b>										
PC33UD69V1250EF	H300226	690 V	700 V	1250 A	355 kA <sup>2</sup> s	2053 kA <sup>2</sup> s	200 kA	180 W	3	0.85 kg
PC33UD69V1400EF	J300227	690 V	700 V	1400 A	465 kA <sup>2</sup> s	2700 kA <sup>2</sup> s	200 kA	200 W	3	0.85 kg

### Size 33 type KI short slotted blades

Catalog number	Item number	Rated voltage AC (IEC)	Rated voltage AC (UL)	Rated current I <sub>n</sub>	Pre-arcing I <sup>2</sup> t	Clearing I <sup>2</sup> t at Rated Voltage	Rated breaking capacity AC	Power dissipation at I <sub>n</sub>	Package	Weight
<b>Standard Terminal</b>										
A070UD33KI500	W300238	690 V	700 V	500 A	19 kA <sup>2</sup> s	110 kA <sup>2</sup> s	200 kA	105 W	3	0.85 kg
A070UD33KI550	X300239	690 V	700 V	550 A	27 kA <sup>2</sup> s	155 kA <sup>2</sup> s	200 kA	110 W	3	0.85 kg
A070UD33KI630	Y300240	690 V	700 V	630 A	40 kA <sup>2</sup> s	230 kA <sup>2</sup> s	200 kA	120 W	3	0.85 kg
A070UD33KI700	Z300241	690 V	700 V	700 A	57 kA <sup>2</sup> s	330 kA <sup>2</sup> s	200 kA	125 W	3	0.85 kg
A070UD33KI800	A300242	690 V	700 V	800 A	93 kA <sup>2</sup> s	540 kA <sup>2</sup> s	200 kA	130 W	3	0.85 kg
A070UD33KI900	B300243	690 V	700 V	900 A	130 kA <sup>2</sup> s	770 kA <sup>2</sup> s	200 kA	135 W	3	0.85 kg
A070UD33KI1000	C300244	690 V	700 V	1000 A	170 kA <sup>2</sup> s	990 kA <sup>2</sup> s	200 kA	155 W	3	0.85 kg
A070UD33KI1100	D300245	690 V	700 V	1100 A	240 kA <sup>2</sup> s	1390 kA <sup>2</sup> s	200 kA	160 W	3	0.85 kg
<b>Reinforced Terminal</b>										
A070UD33KI1250	E300246	690 V	700 V	1250 A	355 kA <sup>2</sup> s	2053 kA <sup>2</sup> s	200 kA	180 W	3	0.85 kg
A070UD33KI1400	F300247	690 V	700 V	1400 A	465 kA <sup>2</sup> s	2700 kA <sup>2</sup> s	200 kA	200 W	3	0.85 kg
A065UD33KI1600	E302063	600 V	650 V	1600 A	555 kA <sup>2</sup> s	2900 kA <sup>2</sup> s	160 kA	240 W	3	0.85 kg

MERSEN reserves the right to change, update or correct, without notice, any information contained in this datasheet.

# Protistor® size 33 aR

450 to 690VAC (IEC) / 700VAC (UL)

## PRODUCT RANGE

### Size 33 type LI long slotted blades

Catalog number	Item number	Rated voltage AC (IEC)	Rated voltage AC (UL)	Rated current I <sub>n</sub>	Pre-arcing I <sup>2</sup> t	Clearing I <sup>2</sup> t at Rated Voltage	Rated breaking capacity AC	Power dissipation at I <sub>n</sub>	Package	Weight
<b>Standard Terminal</b>										
A069UD33LI450	Y302172	690 V	700 V	450 A	13.45 kA <sup>2</sup> s	87 kA <sup>2</sup> s	200 kA	88 W	3	0.88 kg
A070UD33LI500	K300228	690 V	700 V	500 A	19 kA <sup>2</sup> s	110 kA <sup>2</sup> s	200 kA	105 W	3	0.88 kg
A070UD33LI550	L300229	690 V	700 V	550 A	27 kA <sup>2</sup> s	155 kA <sup>2</sup> s	200 kA	110 W	3	0.88 kg
A070UD33LI630	M300230	690 V	700 V	630 A	40 kA <sup>2</sup> s	230 kA <sup>2</sup> s	200 kA	120 W	3	0.88 kg
A070UD33LI700	N300231	690 V	700 V	700 A	57 kA <sup>2</sup> s	330 kA <sup>2</sup> s	200 kA	125 W	3	0.88 kg
A070UD33LI800	P300232	690 V	700 V	800 A	93 kA <sup>2</sup> s	540 kA <sup>2</sup> s	200 kA	130 W	3	0.88 kg
A070UD33LI900	Q300233	690 V	700 V	900 A	130 kA <sup>2</sup> s	770 kA <sup>2</sup> s	200 kA	135 W	3	0.88 kg
A070UD33LI1000	R300234	690 V	700 V	1000 A	170 kA <sup>2</sup> s	990 kA <sup>2</sup> s	200 kA	155 W	3	0.88 kg
A070UD33LI1100	S300235	690 V	700 V	1100 A	240 kA <sup>2</sup> s	1390 kA <sup>2</sup> s	200 kA	160 W	3	0.88 kg
<b>Reinforced Terminal</b>										
A070UD33LI1250	T300236	690 V	700 V	1250 A	355 kA <sup>2</sup> s	2053 kA <sup>2</sup> s	200 kA	180 W	3	0.88 kg
A070UD33LI1400	V300237	690 V	700 V	1400 A	465 kA <sup>2</sup> s	2700 kA <sup>2</sup> s	200 kA	200 W	3	0.88 kg
A065UD33LI1500	P300531	600 V	650 V	1500 A	470 kA <sup>2</sup> s	2500 kA <sup>2</sup> s	160 kA	210 W	3	0.88 kg
A060UD33LI2000	J301078	550 V	600 V	2000 A	950 kA <sup>2</sup> s	4500 kA <sup>2</sup> s	150 kA	290 W	3	0.88 kg
A065UD33LI1600	G301076	600 V	650 V	1600 A	555 kA <sup>2</sup> s	2900 kA <sup>2</sup> s	160 kA	240 W	3	0.88 kg
A065UD33LI1800	H301077	600 V	650 V	1800 A	720 kA <sup>2</sup> s	3870 kA <sup>2</sup> s	160 kA	260 W	3	0.88 kg

### Size 33 type PA plain blades

Catalog number	Item number	Rated voltage AC (IEC)	Rated voltage AC (UL)	Rated current I <sub>n</sub>	Pre-arcing I <sup>2</sup> t	Clearing I <sup>2</sup> t at Rated Voltage	Rated breaking capacity AC	Power dissipation at I <sub>n</sub>	Package	Weight
PC33UD69V1250PA	V302721C	690 V	700 V	1250 A	355 kA <sup>2</sup> s	2053 kA <sup>2</sup> s	200 kA	180 W	3	1.17 kg
PC33UD69V1400PA	P1028044C	690 V	700 V	1400 A	465 kA <sup>2</sup> s	2700 kA <sup>2</sup> s	200 kA	200 W	3	1.17 kg
PC33UD69V1600PA	W302722C	600 V	650 V	1600 A	555 kA <sup>2</sup> s	2900 kA <sup>2</sup> s	160 kA	240 W	3	1.17 kg

# Protistor® size 33 aR

450 to 690VAC (IEC) / 700VAC (UL)

## PRODUCT RANGE



PC33UD69V1400TF

### Size 33 type TTF M12 threaded terminals

Catalog number	Item number	Rated voltage AC (IEC)	Rated voltage AC (UL)	Rated current I <sub>n</sub>	Pre-arcing I <sup>2</sup> t	Clearing I <sup>2</sup> t at Rated Voltage	Rated breaking capacity AC	Power dissipation at I <sub>n</sub>	Package	Weight
<b>Standard Terminal</b>										
PC33UD69V450TF	W302170	690 V	700 V	450 A	13.45 kA <sup>2</sup> s	87 kA <sup>2</sup> s	200 kA	84 W	3	0.81 kg
PC33UD69V500TF	V300076	690 V	700 V	500 A	19 kA <sup>2</sup> s	110 kA <sup>2</sup> s	200 kA	105 W	3	0.81 kg
PC33UD69V550TF	W300077	690 V	700 V	550 A	27 kA <sup>2</sup> s	155 kA <sup>2</sup> s	200 kA	105 W	3	0.81 kg
PC33UD69V630TF	X300078	690 V	700 V	630 A	40 kA <sup>2</sup> s	230 kA <sup>2</sup> s	200 kA	110 W	3	0.81 kg
PC33UD69V700TF	Y300079	690 V	700 V	700 A	57 kA <sup>2</sup> s	330 kA <sup>2</sup> s	200 kA	115 W	3	0.81 kg
PC33UD69V800TF	Z300080	690 V	700 V	800 A	93 kA <sup>2</sup> s	540 kA <sup>2</sup> s	200 kA	120 W	3	0.81 kg
PC33UD69V900TF	A300081	690 V	700 V	900 A	130 kA <sup>2</sup> s	770 kA <sup>2</sup> s	200 kA	120 W	3	0.81 kg
PC33UD69V1000TF	B300082	690 V	700 V	1000 A	170 kA <sup>2</sup> s	990 kA <sup>2</sup> s	200 kA	135 W	3	0.81 kg
PC33UD69V1100TF	C300083	690 V	700 V	1100 A	240 kA <sup>2</sup> s	1390 kA <sup>2</sup> s	200 kA	135 W	3	0.81 kg
<b>Reinforced Terminal</b>										
PC33UD69V1250TF	D300084	690 V	700 V	1250 A	355 kA <sup>2</sup> s	2053 kA <sup>2</sup> s	200 kA	150 W	3	0.91 kg
PC33UD69V1400TF	E300085	690 V	700 V	1400 A	465 kA <sup>2</sup> s	2700 kA <sup>2</sup> s	200 kA	160 W	3	0.91 kg
PC33UD60V1500TF	Y300585	600 V	650 V	1500 A	470 kA <sup>2</sup> s	2500 kA <sup>2</sup> s	160 kA	210 W	3	0.91 kg
PC33UD60V1600TF	Z300586	600 V	650 V	1600 A	555 kA <sup>2</sup> s	2900 kA <sup>2</sup> s	160 kA	210 W	3	0.91 kg
PC33UD60V1800TF	A300587	600 V	650 V	1800 A	720 kA <sup>2</sup> s	3870 kA <sup>2</sup> s	160 kA	225 W	3	0.91 kg
PC33UD55V2000TF	B300588	550 V	600 V	2000 A	950 kA <sup>2</sup> s	4500 kA <sup>2</sup> s	150 kA	250 W	3	0.91 kg
PC33UD50V2250TF	K300757	500 V	550 V	2250 A	1250 kA <sup>2</sup> s	5160 kA <sup>2</sup> s	130 kA	280 W	3	0.91 kg
PC33UD45V2500TF	L300758	450 V	500 V	2500 A	1870 kA <sup>2</sup> s	6540 kA <sup>2</sup> s	110 kA	280 W	3	0.91 kg

MERSEN reserves the right to change, update or correct, without notice, any information contained in this datasheet.

# Protistor® size 33 aR

450 to 690VAC (IEC) / 700VAC (UL)

## PRODUCT RANGE



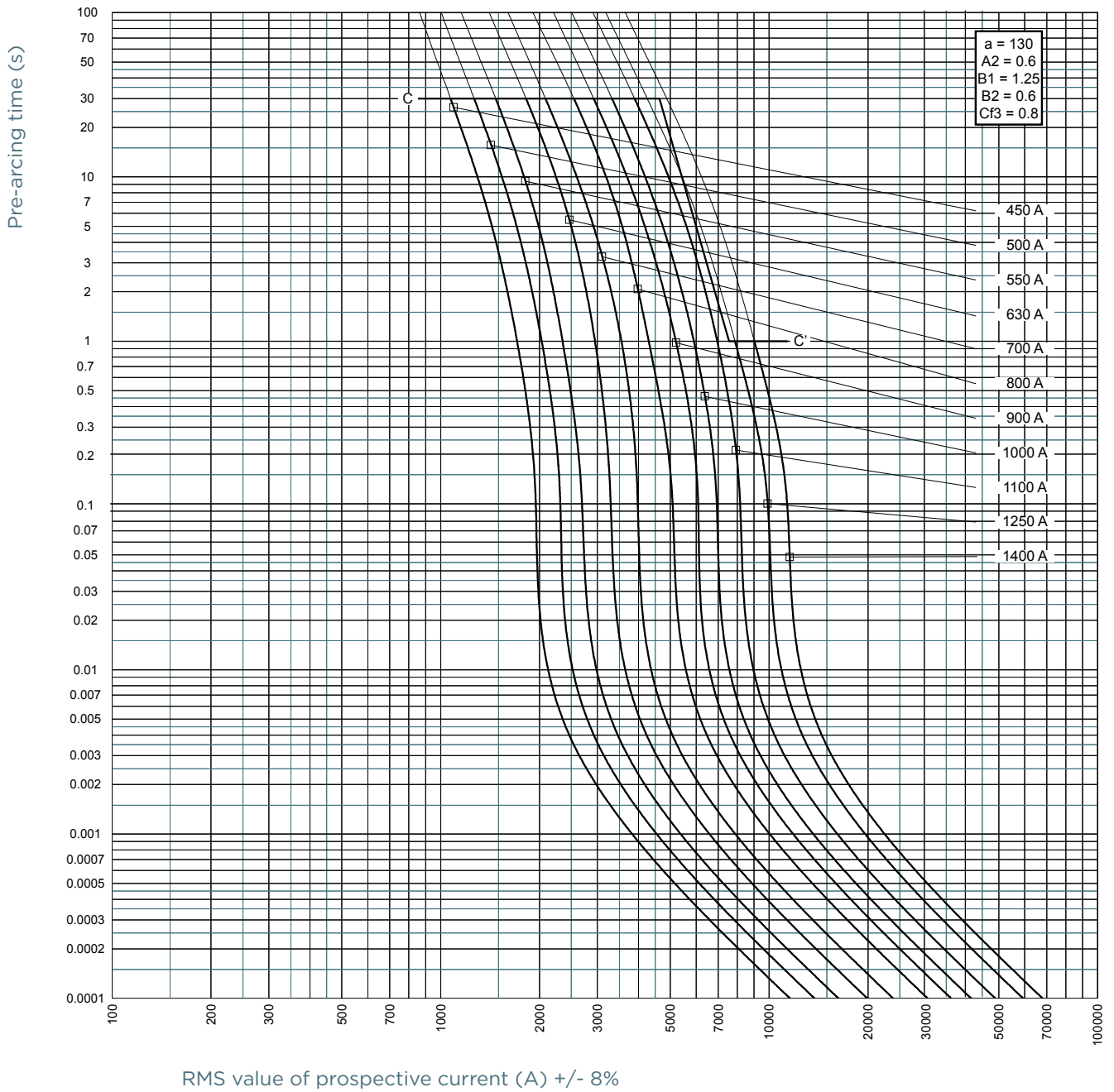
A070UD33TTI450

### Size 33 type TTI 1/2"-13 unified coarse threaded terminals

Catalog number	Item number	Rated voltage AC (IEC)	Rated voltage AC (UL)	Rated current I <sub>n</sub>	Pre-arcing I <sup>2</sup> t	Clearing I <sup>2</sup> t at Rated Voltage	Rated breaking capacity AC	Power dissipation at I <sub>n</sub>	Package	Weight
<b>Standard Terminal</b>										
A070UD33TTI450	X302171	690 V	700 V	450 A	13.45 kA <sup>2</sup> s	87 kA <sup>2</sup> s	200 kA	84 W	3	0.89 kg
A070UD33TTI500	X300446	690 V	700 V	500 A	19 kA <sup>2</sup> s	110 kA <sup>2</sup> s	200 kA	105 W	3	0.89 kg
A070UD33TTI550	Y300447	690 V	700 V	550 A	27 kA <sup>2</sup> s	155 kA <sup>2</sup> s	200 kA	105 W	3	0.89 kg
A070UD33TTI630	Z300448	690 V	700 V	630 A	40 kA <sup>2</sup> s	230 kA <sup>2</sup> s	200 kA	110 W	3	0.89 kg
A070UD33TTI700	A300449	690 V	700 V	700 A	57 kA <sup>2</sup> s	330 kA <sup>2</sup> s	200 kA	115 W	3	0.89 kg
A070UD33TTI800	T300443	690 V	700 V	800 A	93 kA <sup>2</sup> s	540 kA <sup>2</sup> s	200 kA	120 W	3	0.89 kg
A070UD33TTI900	B300450	690 V	700 V	900 A	130 kA <sup>2</sup> s	770 kA <sup>2</sup> s	200 kA	120 W	3	0.89 kg
A070UD33TTI1000	C300451	690 V	700 V	1000 A	170 kA <sup>2</sup> s	990 kA <sup>2</sup> s	200 kA	135 W	3	0.89 kg
A070UD33TTI1100	D300452	690 V	700 V	1100 A	240 kA <sup>2</sup> s	1390 kA <sup>2</sup> s	200 kA	135 W	3	0.89 kg
<b>Reinforced Terminal</b>										
A070UD33TTI1250	E300453	690 V	700 V	1250 A	355 kA <sup>2</sup> s	2053 kA <sup>2</sup> s	200 kA	150 W	3	0.89 kg
A070UD33TTI1400	F300454	690 V	700 V	1400 A	465 kA <sup>2</sup> s	2700 kA <sup>2</sup> s	200 kA	160 W	3	0.89 kg
A065UD33TTI1500	F302064	600 V	650 V	1500 A	470 kA <sup>2</sup> s	2500 kA <sup>2</sup> s	160 kA	210 W	3	0.89 kg
A065UD33TTI1600	S301086	600 V	650 V	1600 A	555 kA <sup>2</sup> s	2900 kA <sup>2</sup> s	160 kA	210 W	3	0.89 kg
A065UD33TTI1800	T301087	600 V	650 V	1800 A	720 kA <sup>2</sup> s	3870 kA <sup>2</sup> s	160 kA	225 W	3	0.89 kg
A060UD33TTI2000	V301088	550 V	600 V	2000 A	950 kA <sup>2</sup> s	4500 kA <sup>2</sup> s	150 kA	250 W	3	0.89 kg
A055UD33TTI2250	W301089	500 V	550 V	2250 A	1250 kA <sup>2</sup> s	5160 kA <sup>2</sup> s	130 kA	280 W	3	0.89 kg
A050UD33TTI2500	Y300838	450 V	500 V	2500 A	1870 kA <sup>2</sup> s	6540 kA <sup>2</sup> s	110 kA	280 W	3	0.89 kg

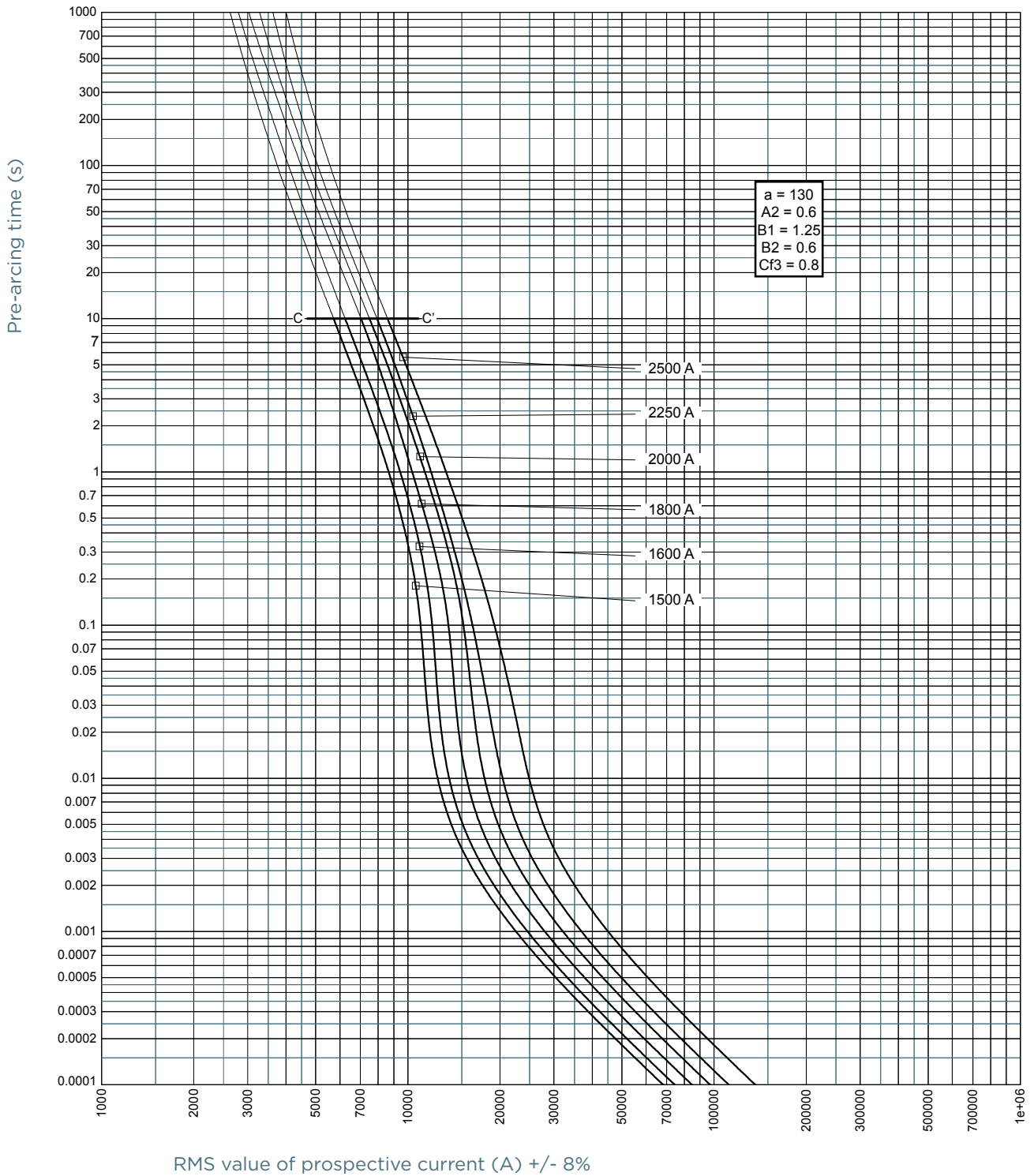
MERSEN reserves the right to change, update or correct, without notice, any information contained in this datasheet.

TIME CURRENT CHARACTERISTIC CURVES



MERSEN reserves the right to change, update or correct, without notice, any information contained in this datasheet.

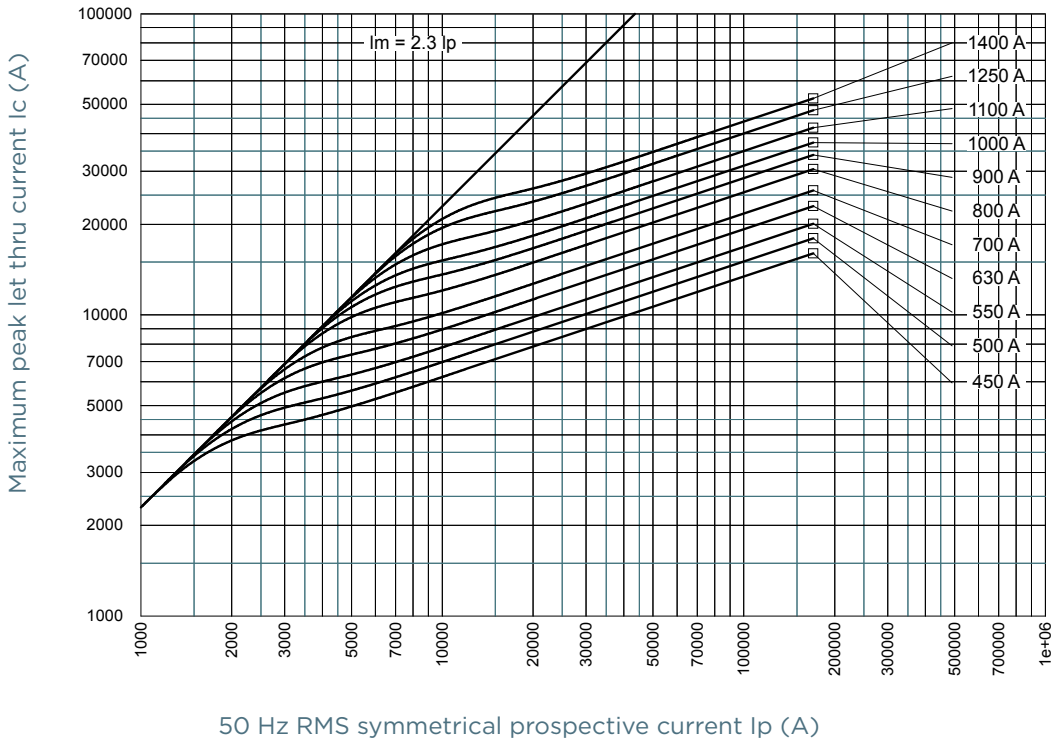
TIME CURRENT CHARACTERISTIC CURVES



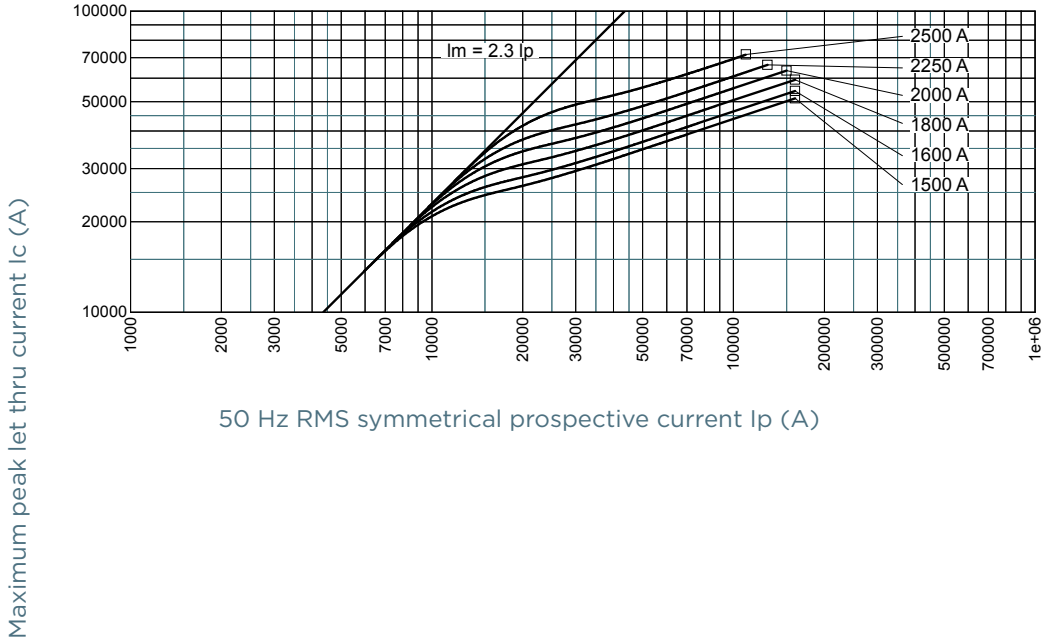
MERSEN reserves the right to change, update or correct, without notice, any information contained in this datasheet.



CUT-OFF CURRENT CHARACTERISTIC



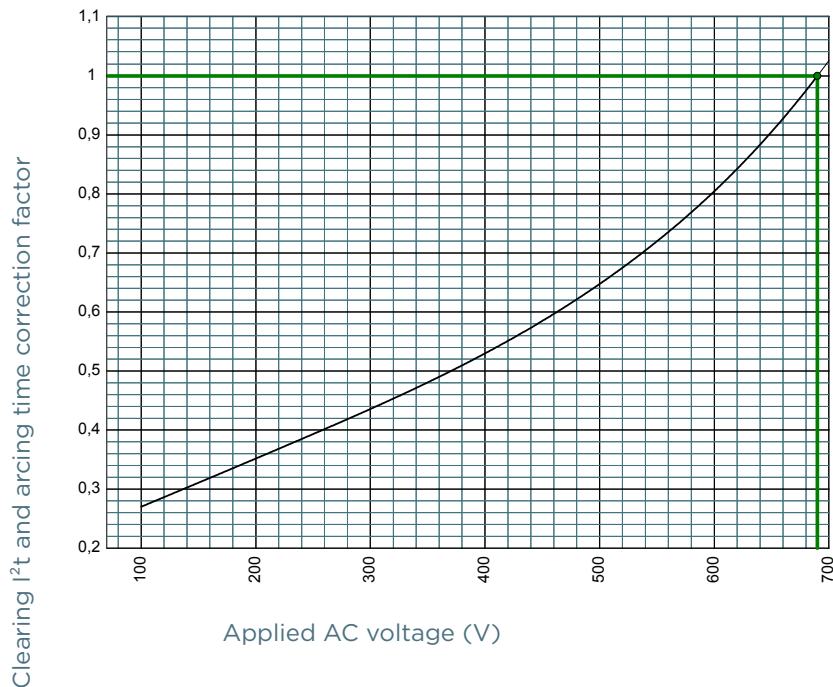
50 Hz RMS symmetrical prospective current  $I_p$  (A)



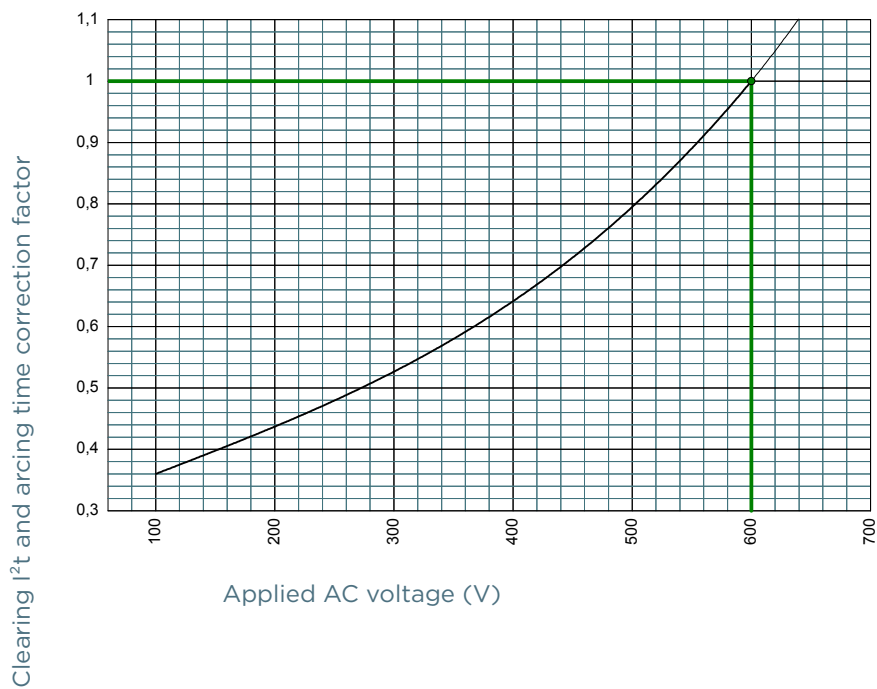
50 Hz RMS symmetrical prospective current  $I_p$  (A)

## I<sup>2</sup>T MULTIPLIER COEFFICIENT

### Size 33 690V

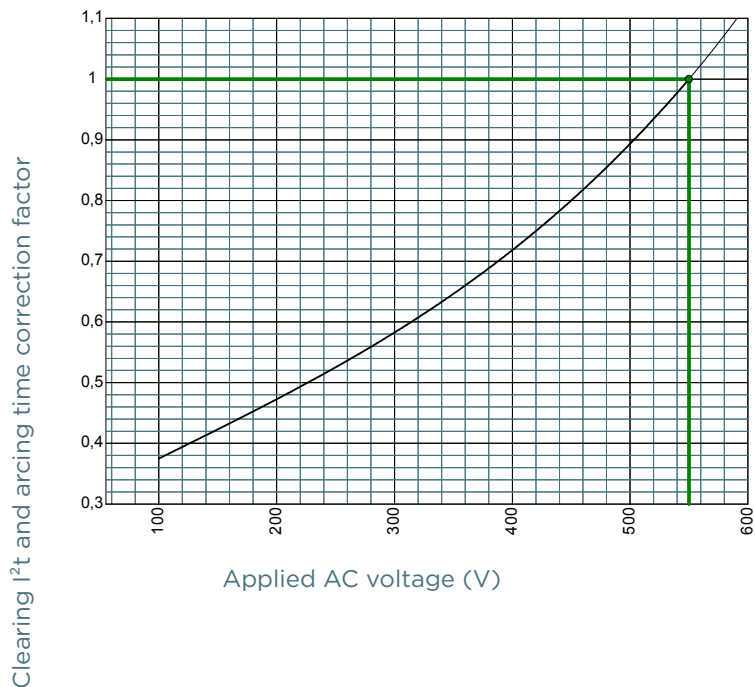


### Size 33 600V

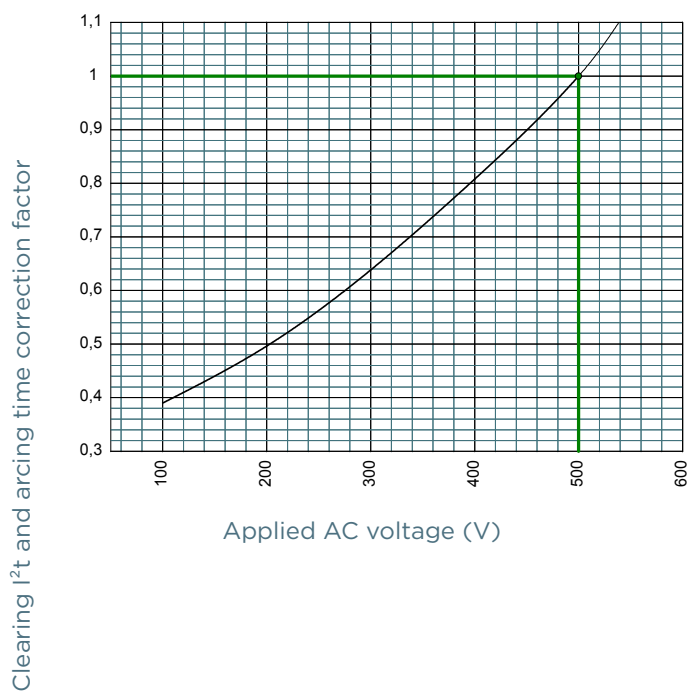


## I<sup>2</sup>T MULTIPLIER COEFFICIENT

### Size 33 550V

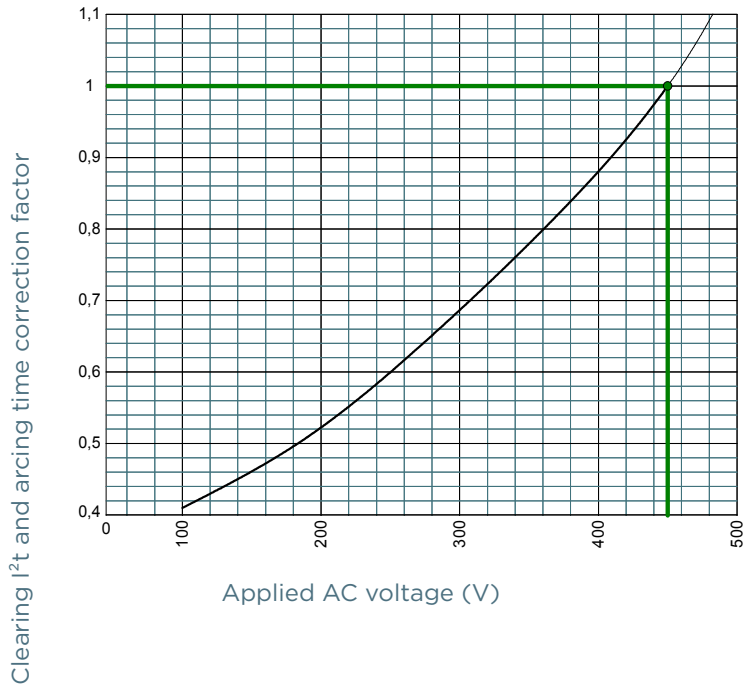


### Size 33 500V



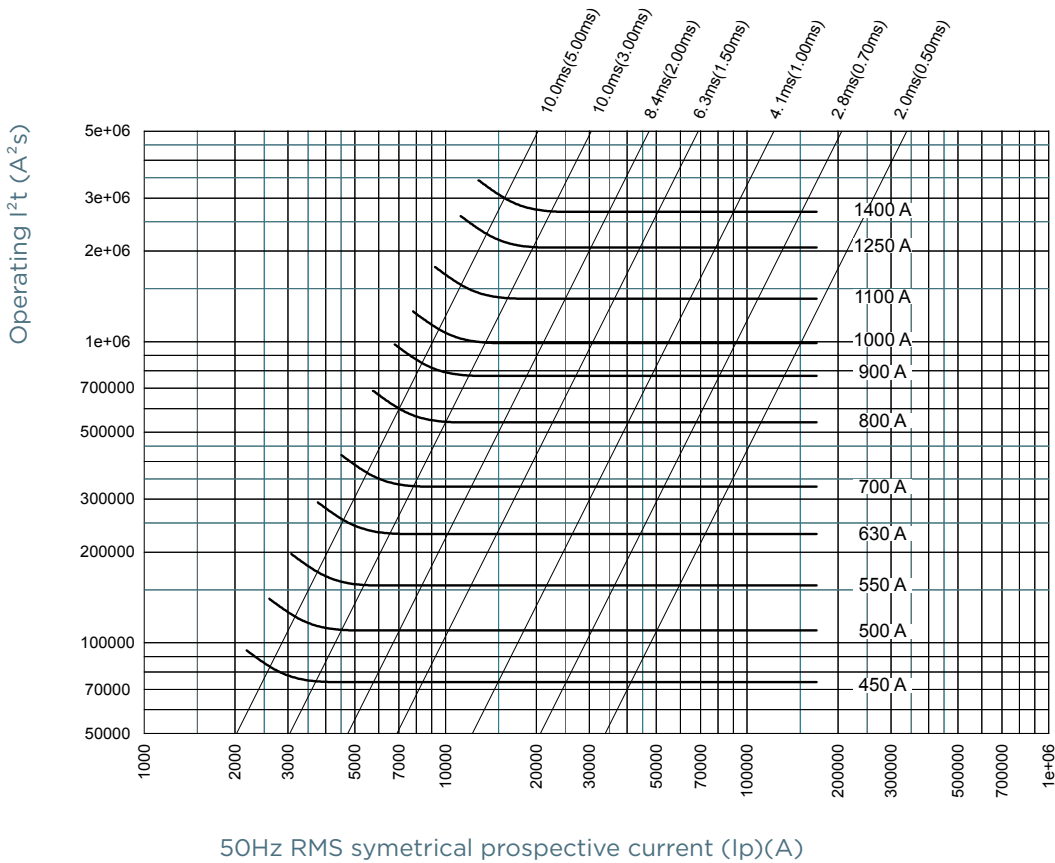
## I<sup>2</sup>T MULTIPLIER COEFFICIENT

### Size 33 450V

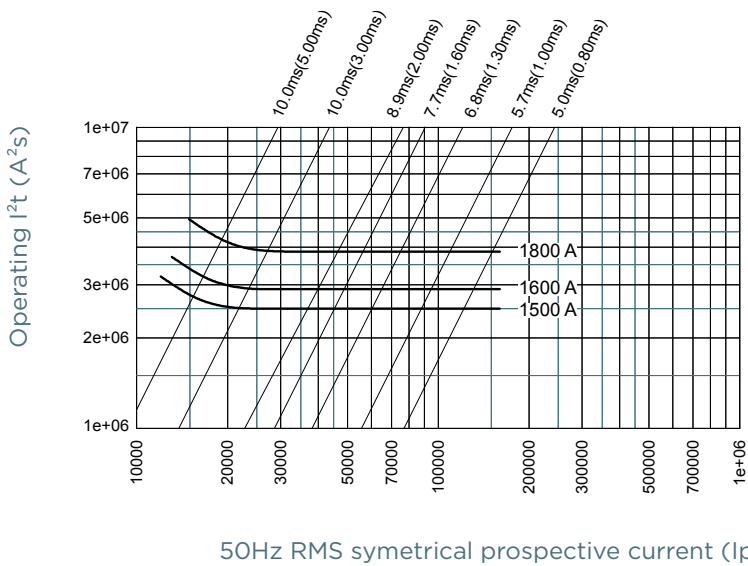


CHARACTERISTICS TOTAL I<sup>2</sup>T CURVE

Size 33 690V



Size 33 600V

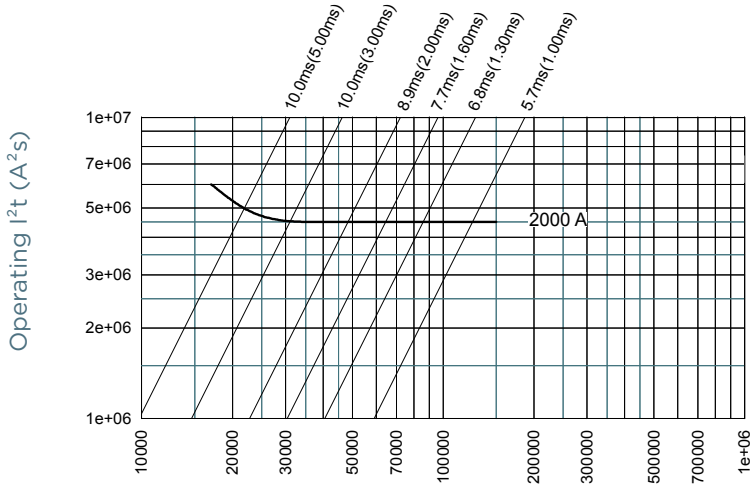


# Protistor® size 33 aR

450 to 690VAC (IEC) / 700VAC (UL)

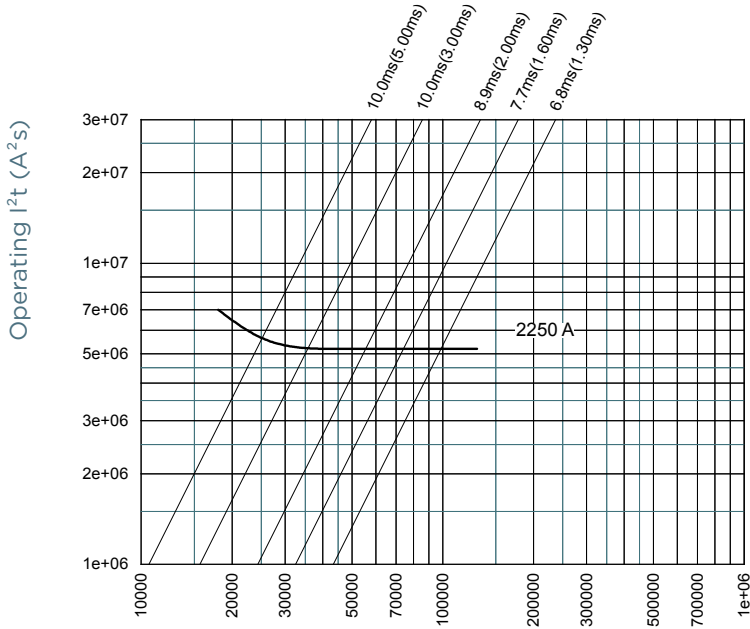
## CHARACTERISTICS TOTAL I<sup>2</sup>T CURVE

### Size 33 550V



50Hz RMS symmetrical prospective current (Ip)(A)

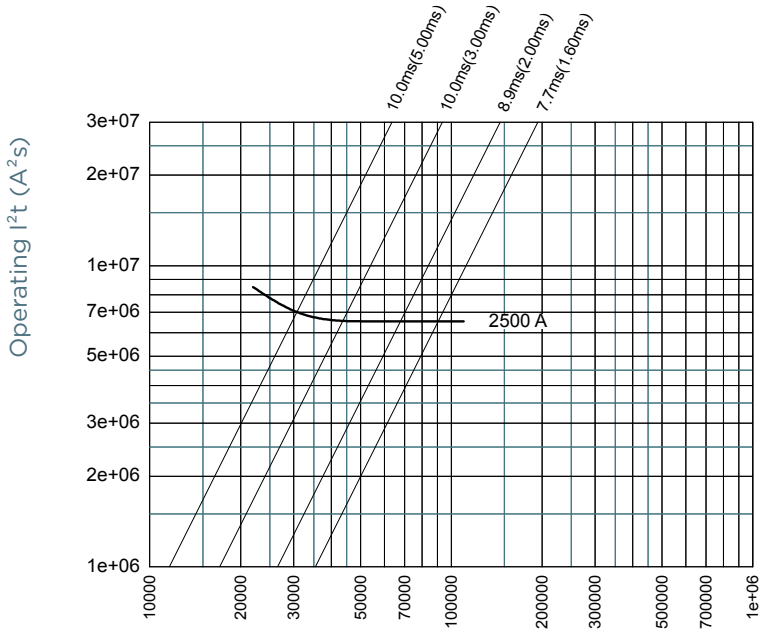
### Size 33 500V



50Hz RMS symmetrical prospective current (Ip)(A)

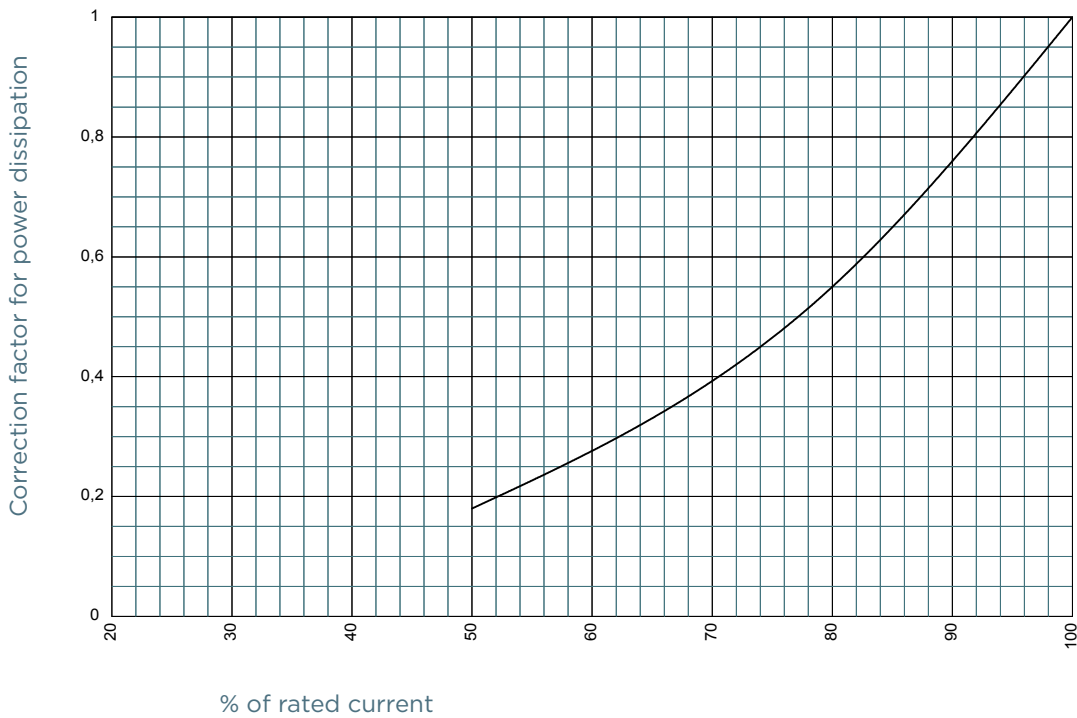
CHARACTERISTICS TOTAL I<sup>2</sup>T CURVE

Size 33 450V



50Hz RMS symmetrical prospective current (Ip)(A)

POWER DISSIPATION

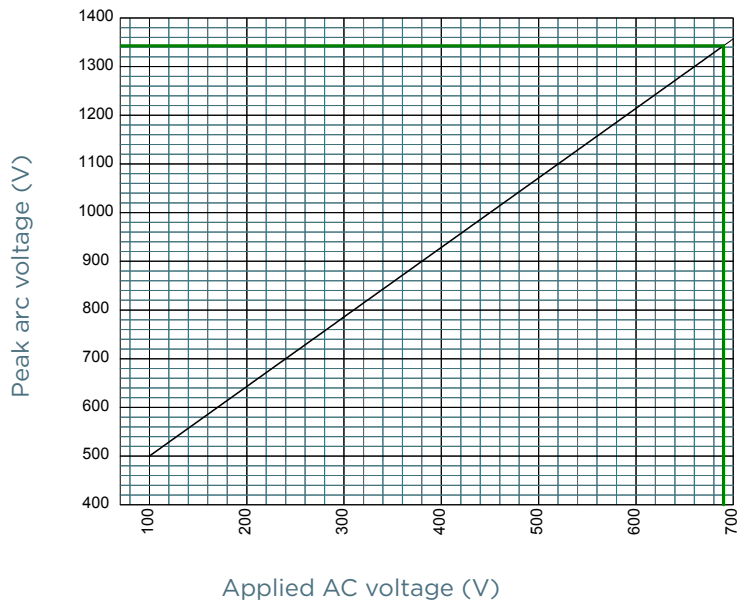


# Protistor® size 33 aR

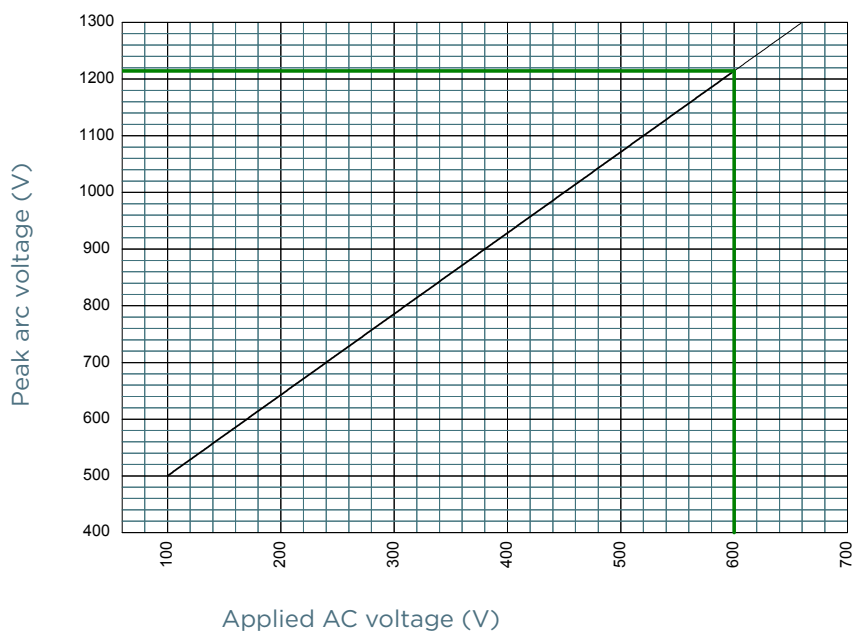
450 to 690VAC (IEC) / 700VAC (UL)

## PEAK ARC VOLTAGE

### Size 33 690V



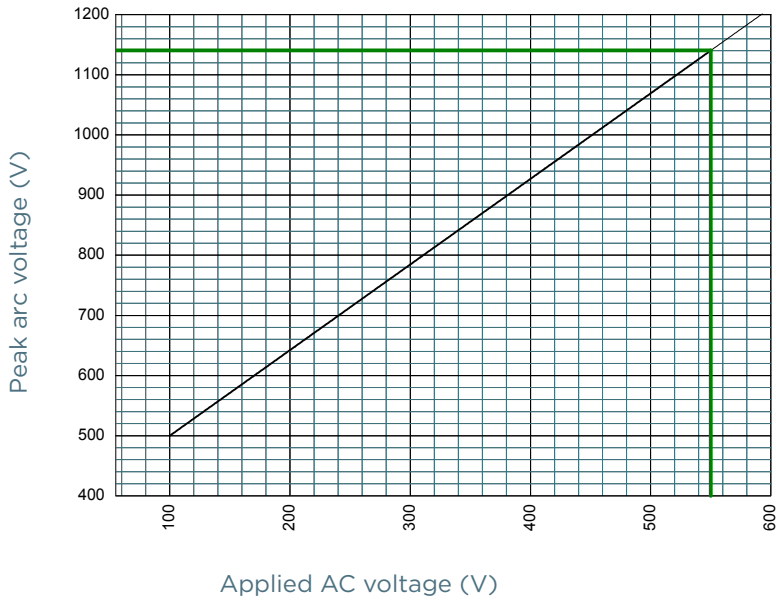
### Size 33 600V



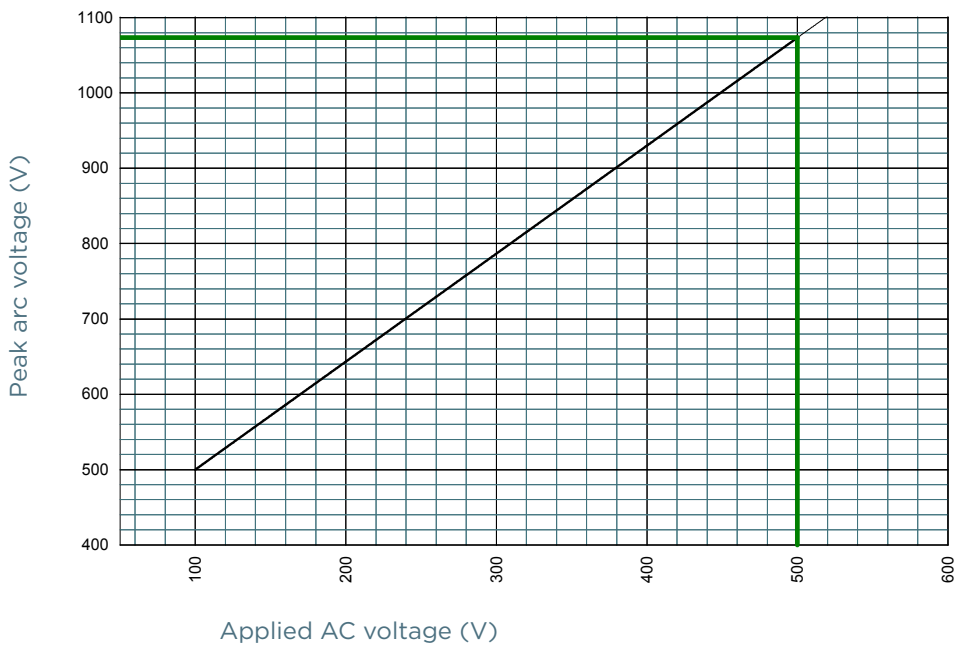


## PEAK ARC VOLTAGE

### Size 33 550V



### Size 33 500V

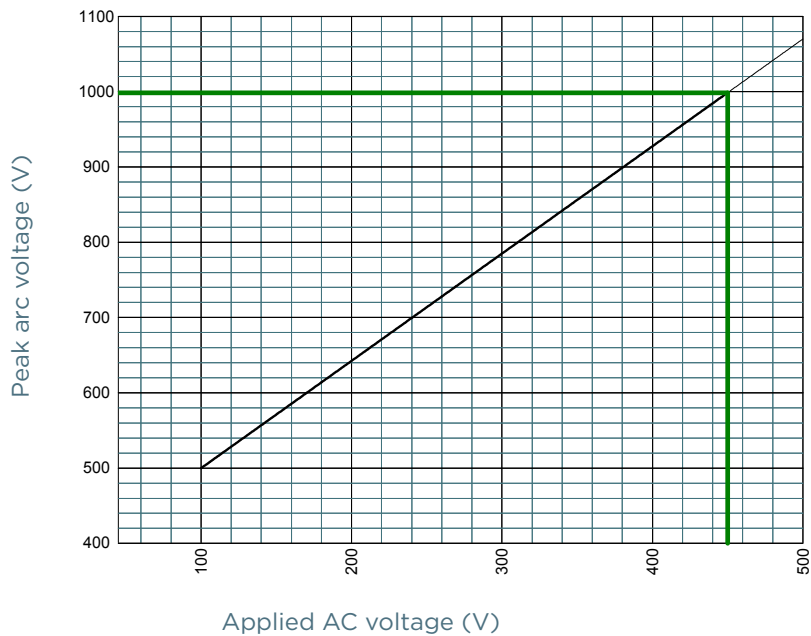


# Protistor® size 33 aR

450 to 690VAC (IEC) / 700VAC (UL)

## PEAK ARC VOLTAGE

### Size 33 450V

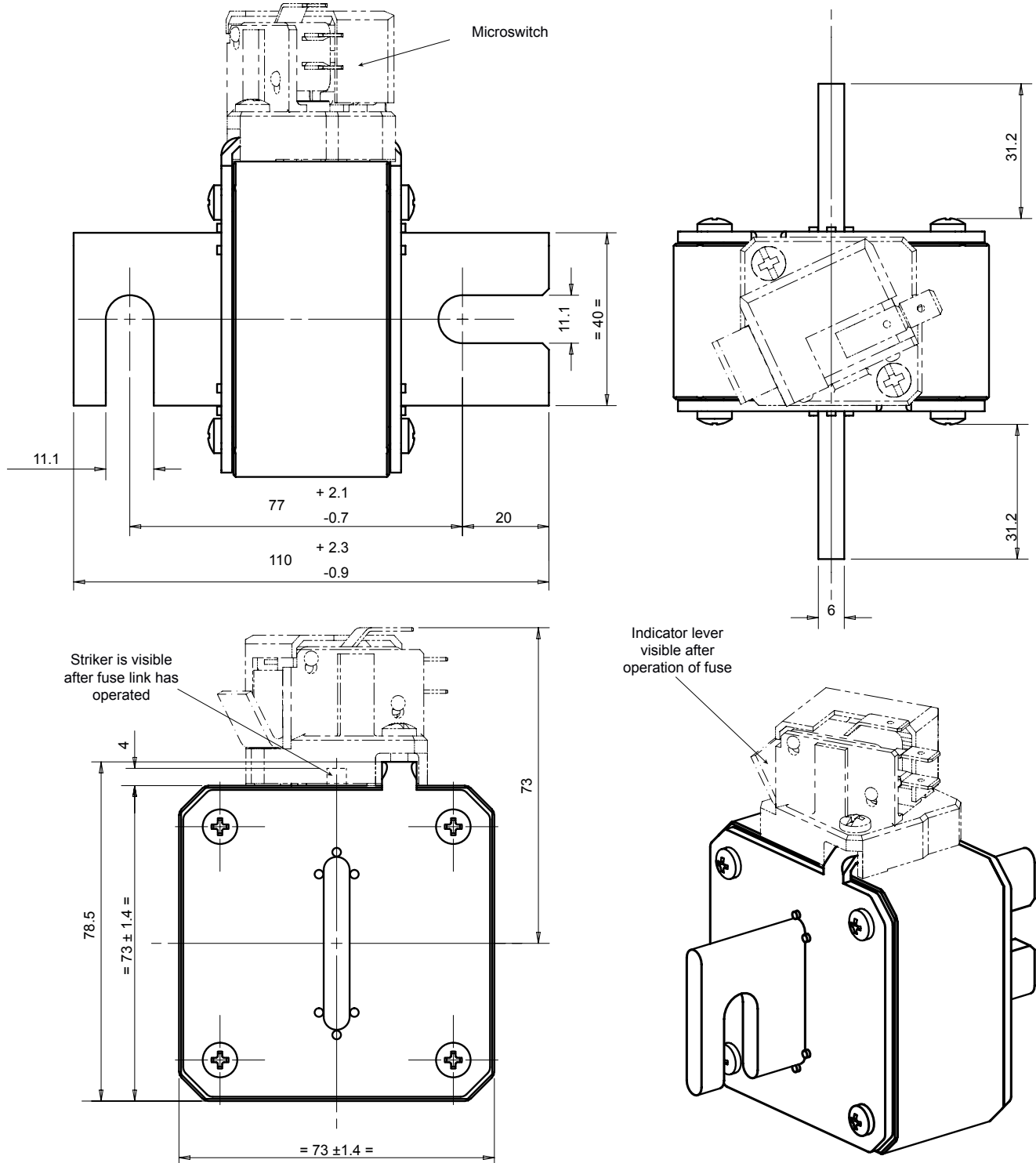


# Protistor® size 33 aR

450 to 690VAC (IEC) / 700VAC (UL)

## DIMENSIONS

size 33 type DIN 80 (102931)



Dimensions in mm

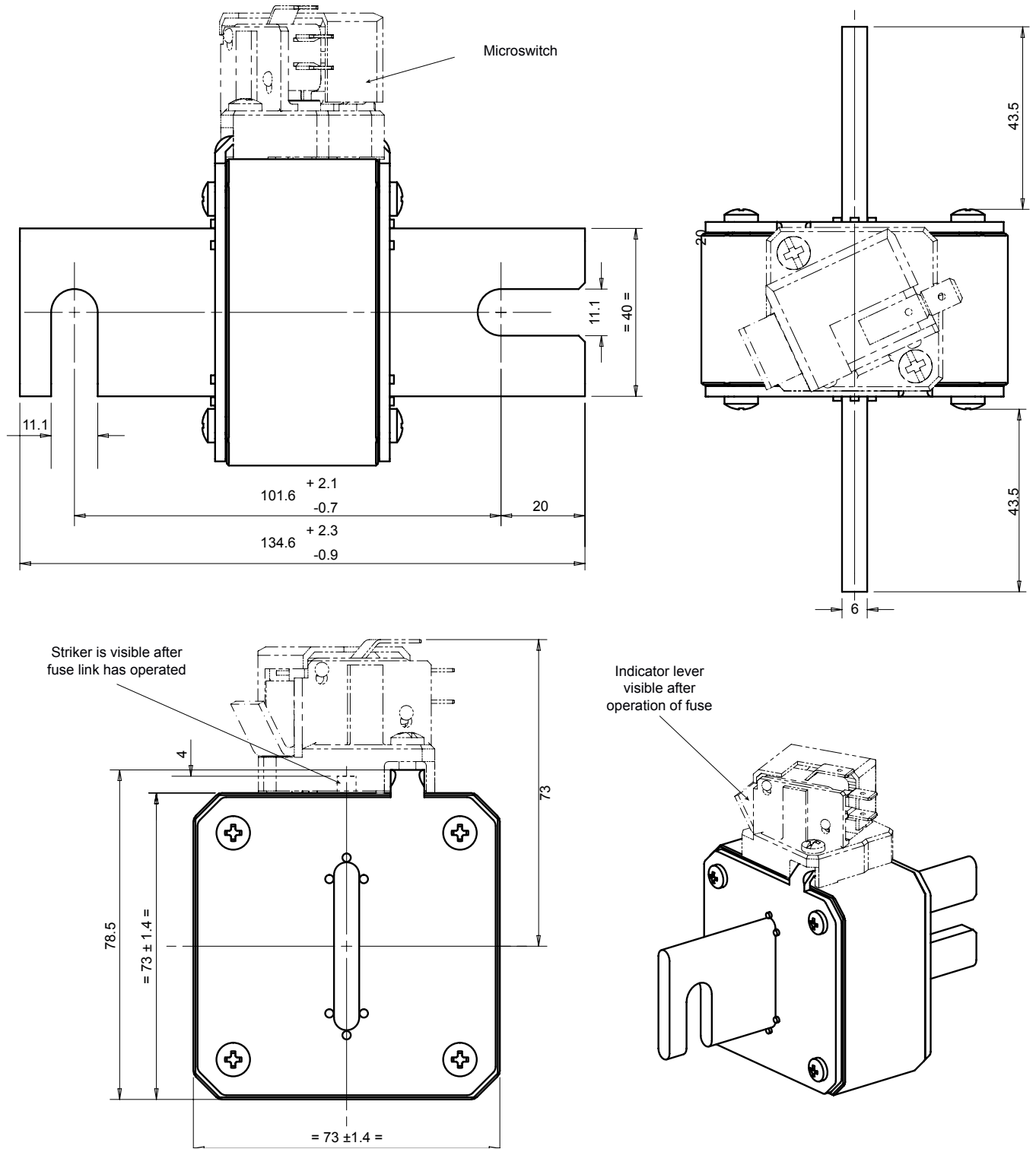
MERSEN reserves the right to change, update or correct, without notice, any information contained in this datasheet.

# Protistor® size 33 aR

450 to 690VAC (IEC) / 700VAC (UL)

## DIMENSIONS

size 33 type DIN 110 (102932)



Dimensions in mm

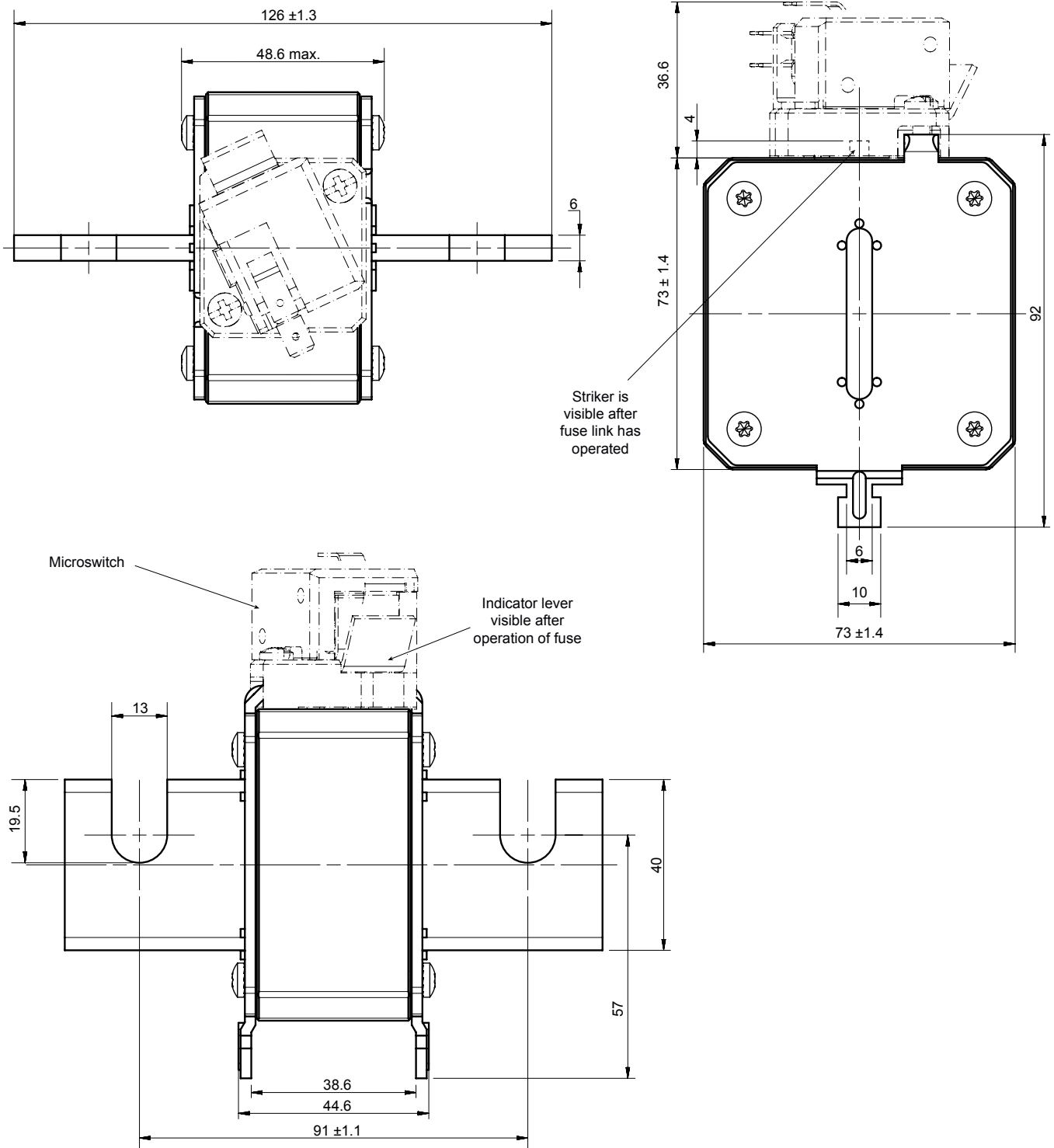
MERSEN reserves the right to change, update or correct, without notice, any information contained in this datasheet.

# Protistor® size 33 aR

450 to 690VAC (IEC) / 700VAC (UL)

## DIMENSIONS

size 33 type EF (102930)



Dimensions in mm

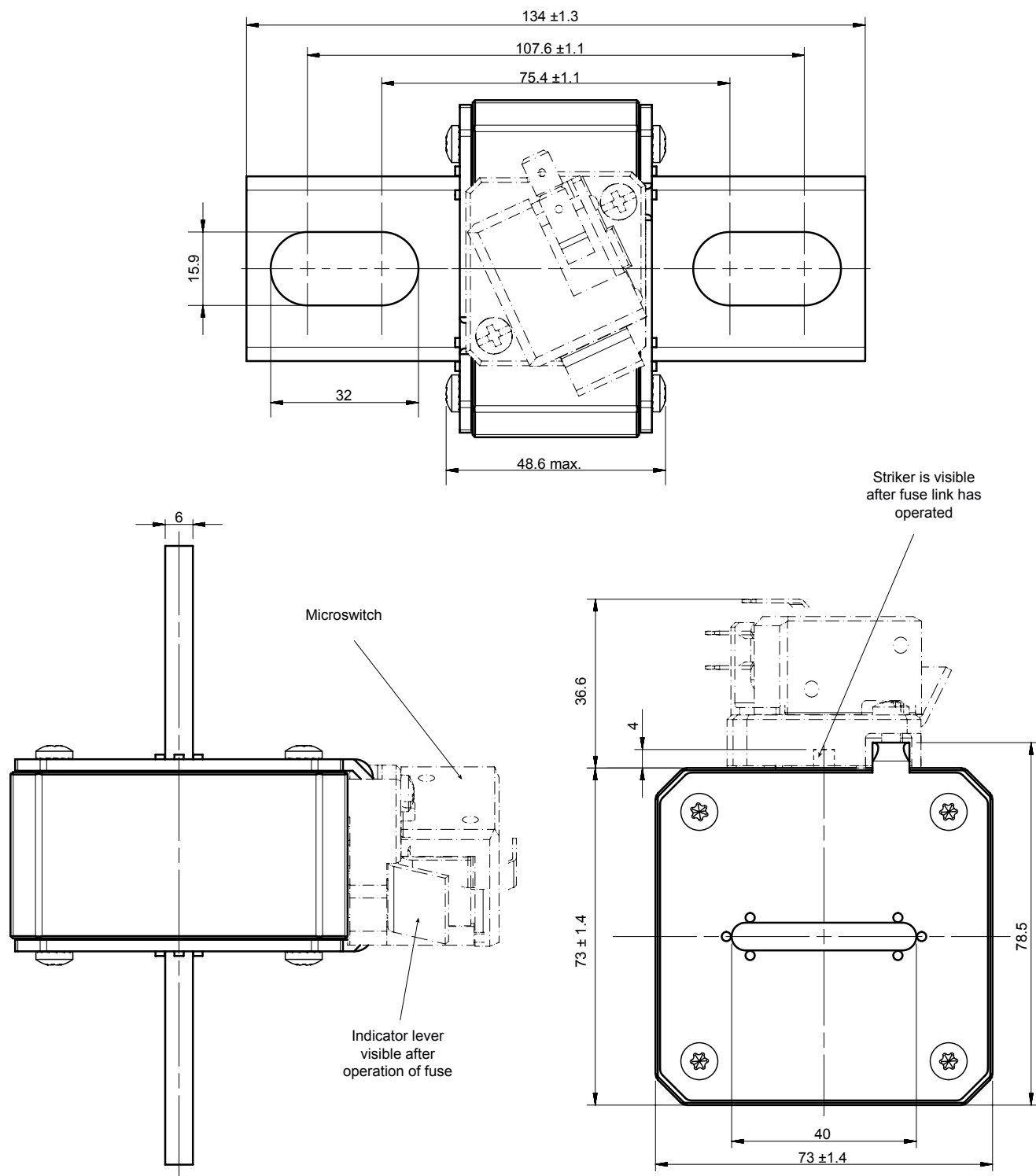
MERSEN reserves the right to change, update or correct, without notice, any information contained in this datasheet.

# Protistor® size 33 aR

450 to 690VAC (IEC) / 700VAC (UL)

## DIMENSIONS

size 33 type KI (102929)



Dimensions in mm

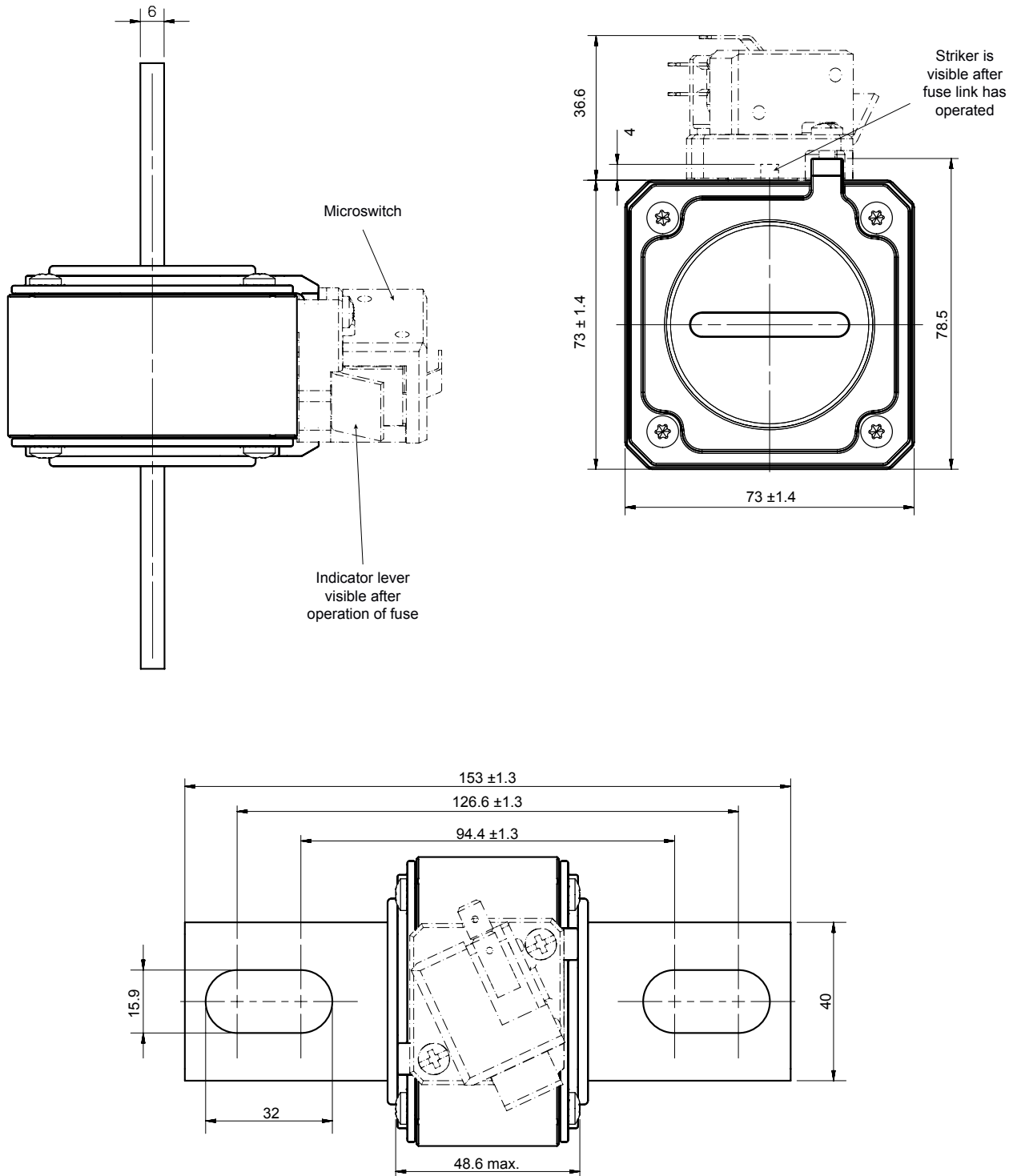
MERSEN reserves the right to change, update or correct, without notice, any information contained in this datasheet.

# Protistor® size 33 aR

450 to 690VAC (IEC) / 700VAC (UL)

## DIMENSIONS

size 33 type LI reinforced (109524)



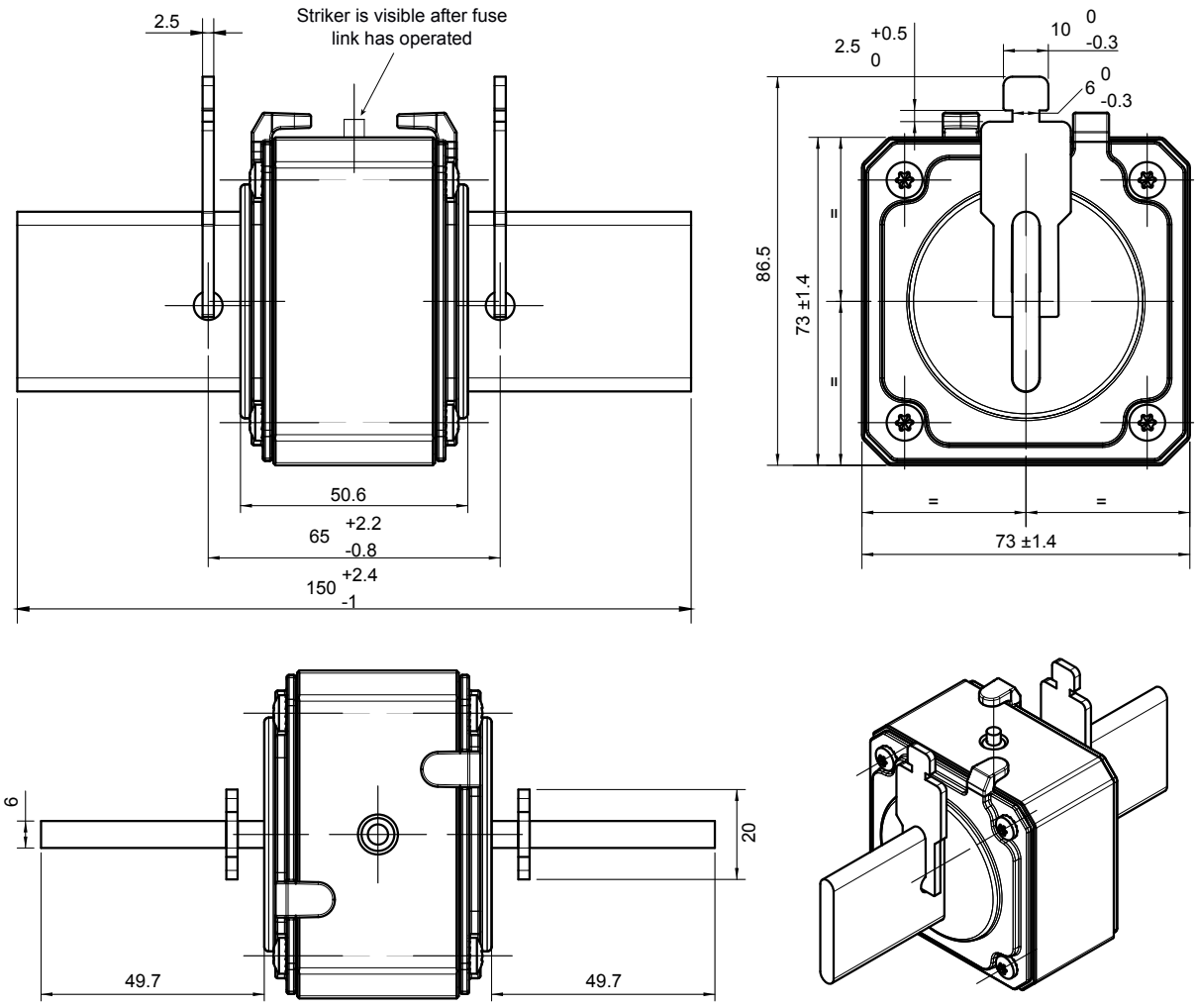
Dimensions in mm

# Protistor® size 33 aR

450 to 690VAC (IEC) / 700VAC (UL)

## DIMENSIONS

size 33 type PA plain blades (107900)



Dimensions in mm

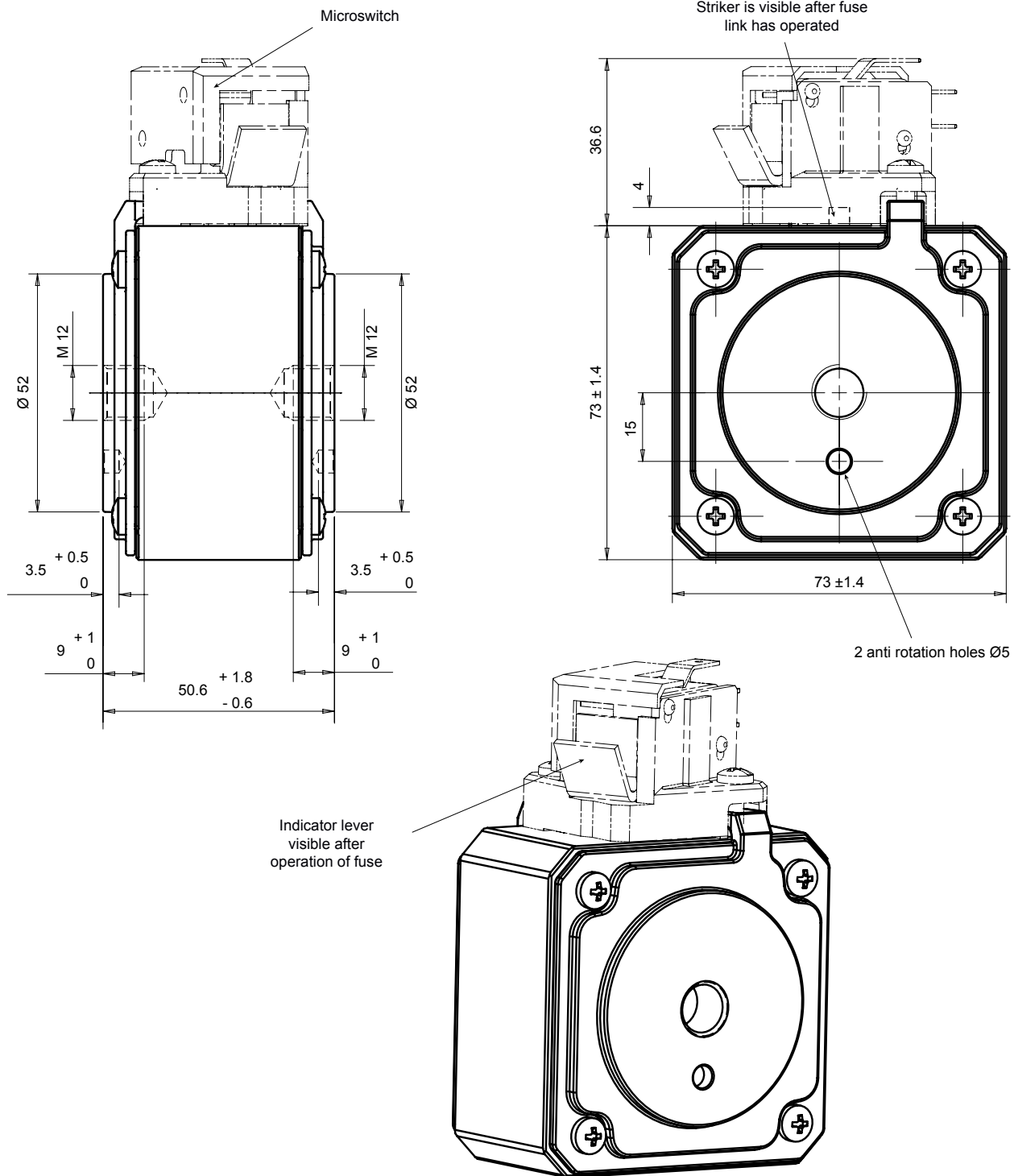


# Protistor® size 33 aR

450 to 690VAC (IEC) / 700VAC (UL)

## DIMENSIONS

size 33 type TTF reinforced (108835)



Dimensions in mm

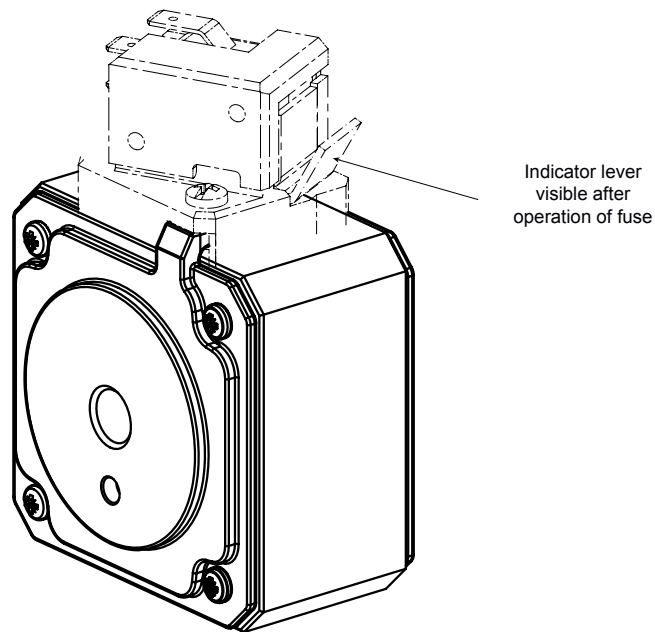
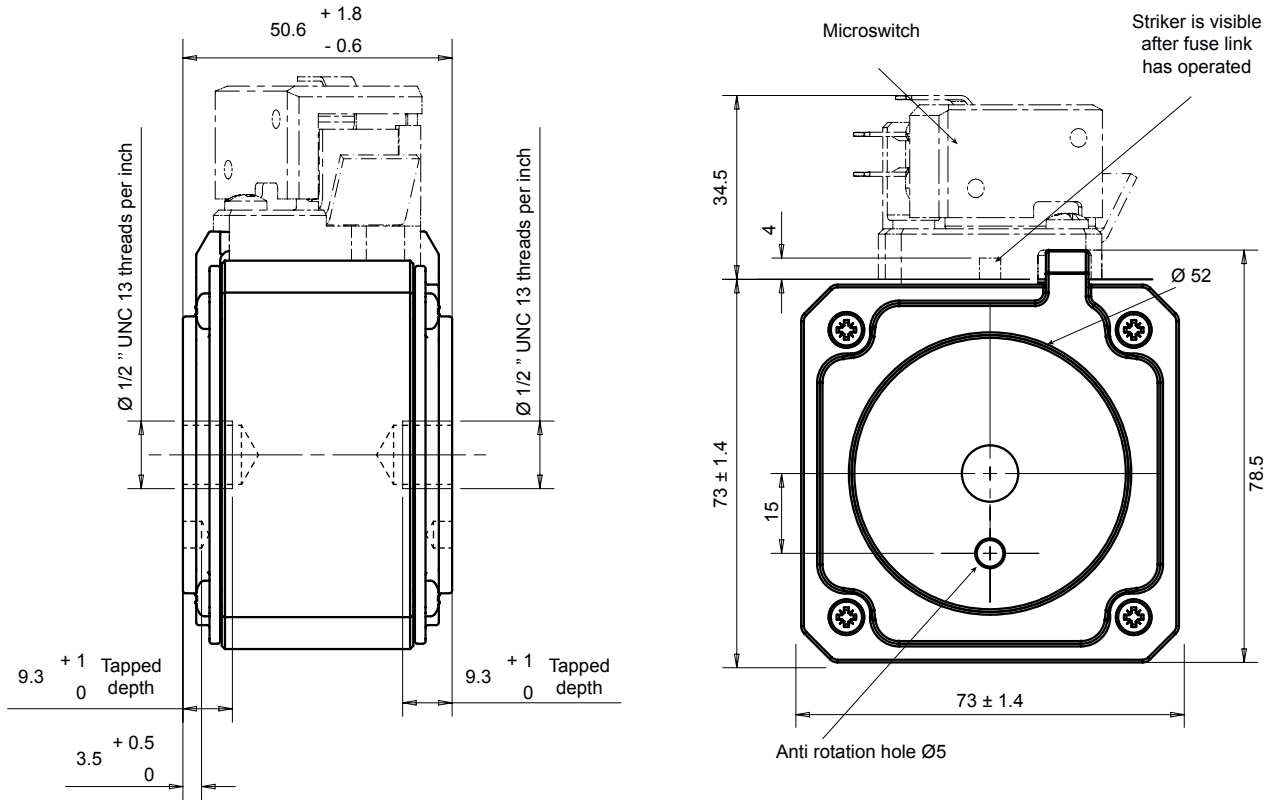
MERSEN reserves the right to change, update or correct, without notice, any information contained in this datasheet.

# Protistor® size 33 aR

450 to 690VAC (IEC) / 700VAC (UL)

## DIMENSIONS

### size 33 type TTI reinforced



MERSEN reserves the right to change, update or correct, without notice, any information contained in this datasheet.

# Protistor® size 33 aR

450 to 690VAC (IEC) / 700VAC (UL)

## APPENDIX

### Index

Catalog number	Item number	Description 1	Page
PC33UD69V450A	T302168	6,9 URD 33 D08 A 0450	2
PC33UD69V500A	G300248	6,9 URD 33 D08 A 0500	2
PC33UD69V550A	H300249	6,9 URD 33 D08 A 0550	2
PC33UD69V630A	J300250	6,9 URD 33 D08 A 0630	2
PC33UD69V700A	K300251	6,9 URD 33 D08 A 0700	2
PC33UD69V800A	L300252	6,9 URD 33 D08 A 0800	2
PC33UD69V900A	M300253	6,9 URD 33 D08 A 0900	2
PC33UD69V1000A	N300254	6,9 URD 33 D08 A 1000	2
PC33UD69V1100A	P300255	6,9 URD 33 D08 A 1100	2
PC33UD69V1250A	Q300256	6,9 URD 33 D08 A 1250	2
PC33UD69V1400A	R300257	6,9 URD 33 D08 A 1400	2
PC33UD60V1500A	M235071	6 URD 33 D08 A 1500	2
PC33UD60V1600A	X301803	6 URD 33 D08 A 1600	2
PC33UD60V1800A	E301971	6 URD 33 D08 A 1800	2
PC33UD55V2000A	A302657	5,5 URD 33 D08 A 2000	2
PC33UD69V450D1A	V302169	6,9 URD 33 D11 A 0450	2
PC33UD69V500D1A	S300258	6,9 URD 33 D11 A 0500	2
PC33UD69V550D1A	T300259	6,9 URD 33 D11 A 0550	2
PC33UD69V630D1A	V300260	6,9 URD 33 D11 A 0630	2
PC33UD69V700D1A	W300261	6,9 URD 33 D11 A 0700	2
PC33UD69V800D1A	X300262	6,9 URD 33 D11 A 0800	2
PC33UD69V900D1A	Y300263	6,9 URD 33 D11 A 0900	2
PC33UD69V10CD1A	Z300264	6,9 URD 33 D11 A 1000	2
PC33UD69V11CD1A	A300265	6,9 URD 33 D11 A 1100	2
PC33UD69V12CD1A	B300266	6,9 URD 33 D11 A 1250	2
PC33UD69V14CD1A	C300267	6,9 URD 33 D11 A 1400	2
PC33UD65V15CD1A	H301974	6 URD 33 D11 A 1500	2
PC33UD60V16CD1A	Z301437	6 URD 33 D11 A 1600	2
PC33UD55V20CD1A	S1015765	5,5 URD 33 D11A 2000A	2
PC33UD69V500EF	Z300218	6,9 URD 33 E F 0500	3
PC33UD69V550EF	A300219	6,9 URD 33 E F 0550	3
PC33UD69V630EF	B300220	6,9 URD 33 E F 0630	3
PC33UD69V700EF	C300221	6,9 URD 33 E F 0700	3
PC33UD69V800EF	D300222	6,9 URD 33 E F 0800	3
PC33UD69V900EF	E300223	6,9 URD 33 E F 0900	3
PC33UD69V1000EF	F300224	6,9 URD 33 E F 1000	3
PC33UD69V1100EF	G300225	6,9 URD 33 E F 1100	3
PC33UD69V1250EF	H300226	6,9 URD 33 E F 1250	3
PC33UD69V1400EF	J300227	6,9 URD 33 E F 1400	3
A070UD33KI500	W300238	A 070 URD 33 KI 0500	3
A070UD33KI550	X300239	A 070 URD 33 KI 0550	3
A070UD33KI630	Y300240	A 070 URD 33 KI 0630	3
A070UD33KI700	Z300241	A 070 URD 33 KI 0700	3
A070UD33KI800	A300242	A 070 URD 33 KI 0800	3
A070UD33KI900	B300243	A 070 URD 33 KI 0900	3
A070UD33KI1000	C300244	A 070 URD 33 KI 1000	3
A070UD33KI1100	D300245	A 070 URD 33 KI 1100	3
A070UD33KI1250	E300246	A 070 URD 33 KI 1250	3
A070UD33KI1400	F300247	A070URD33KI1400	3
A065UD33KI1600	E302063	A 065 URD 33 KI 1600	3
A069UD33LI450	Y302172	A 070 URD 33 LI 0450	4
A070UD33LI500	K300228	A 070 URD 33 LI 0500	4
A070UD33LI550	L300229	A070URD33LI0550	4
A070UD33LI630	M300230	A 070 URD 33 LI 0630	4
A070UD33LI700	N300231	A 070 URD 33 LI 0700	4

MERSEN reserves the right to change, update or correct, without notice, any information contained in this datasheet.

# Protistor® size 33 aR

450 to 690VAC (IEC) / 700VAC (UL)

## Index

Catalog number	Item number	Description 1	Page
A070UD33LI800	P300232	A 070 URD 33 LI 0800	4
A070UD33LI900	Q300233	A 070 URD 33 LI 0900	4
A070UD33LI1000	R300234	A 070 URD 33 LI 1000	4
A070UD33LI1100	S300235	A 070 URD 33 LI 1100	4
A070UD33LI1250	T300236	A 070 URD 33 LI 1250	4
A070UD33LI1400	V300237	A 070 URD 33 LI 1400	4
A065UD33LI1500	P300531	A 060 URD 33 LI 1500	4
A060UD33LI2000	J301078	A 060 URD 33 LI 2000	4
A065UD33LI1600	G301076	A 065 URD 33 LI 1600	4
A065UD33LI1800	H301077	A 065 URD 33 LI 1800	4
PC33UD69V1250PA	V302721C	-	4
PC33UD69V1400PA	P1028044C	-	4
PC33UD69V1600PA	W302722C	-	4
PC33UD69V450TF	W302170	6,9 URD 33 TT F 0500	5
PC33UD69V500TF	V300076	6,9 URD 33 TT F 0500	5
PC33UD69V550TF	W300077	6,9 URD 33 TT F 0550	5
PC33UD69V630TF	X300078	6,9 URD 33 TT F 0630	5
PC33UD69V700TF	Y300079	6,9 URD 33 TT F 0700	5
PC33UD69V800TF	Z300080	6,9 URD 33 TT F 0800	5
PC33UD69V900TF	A300081	6,9 URD 33 TT F 0900	5
PC33UD69V1000TF	B300082	6,9 URD 33 TT F 1000	5
PC33UD69V1100TF	C300083	6,9 URD 33 TT F 1100	5
PC33UD69V1250TF	D300084	6,9 URD 33 TT F 1250	5
PC33UD69V1400TF	E300085	6,9 URD 33 TT F 1400	5
PC33UD60V1500TF	Y300585	6 URD 33 TT F 1500	5
PC33UD60V1600TF	Z300586	6 URD 33 TT F 1600	5
PC33UD60V1800TF	A300587	6 URD 33 TT F 1800	5
PC33UD55V2000TF	B300588	5,5 URD 33 TT F 2000	5
PC33UD50V2250TF	K300757	5 URD 33 TT F 2250	5
PC33UD45V2500TF	L300758	4,5 URD 33 TTF 2500	5
A070UD33TTI450	X302171	A070 URD 33 TTI 0450	6
A070UD33TTI500	X300446	A070 URD 33 TTI 0500	6
A070UD33TTI550	Y300447	A070 URD 33 TTI 0550	6
A070UD33TTI630	Z300448	A070 URD 33 TTI 0630	6
A070UD33TTI700	A300449	A070 URD 33 TTI 0700	6
A070UD33TTI800	T300443	A070 URD 33 TTI 0800	6
A070UD33TTI900	B300450	A070 URD 33 TTI 0900	6
A070UD33TTI1000	C300451	A070 URD 33 TTI 1000	6
A070UD33TTI1100	D300452	A070 URD 33 TTI 1100	6
A070UD33TTI1250	E300453	A070 URD 33 TTI 1250	6
A070UD33TTI1400	F300454	A070 URD 33 TTI 1400	6
A065UD33TTI1500	F302064	A065URD33TTI1500	6
A065UD33TTI1600	S301086	A065 URD 33 TTI 1600	6
A065UD33TTI1800	T301087	A065 URD 33 TTI 1800	6
A060UD33TTI2000	V301088	A060 URD 33 TTI 2000	6
A055UD33TTI2250	W301089	A055 URD 33 TTI 2250	6
A050UD33TTI2500	Y300838	A050 URD 33 TTI 2500	6

MERSEN reserves the right to change, update or correct, without notice, any information contained in this datasheet.

